

Product Installation guide

IP65



-10 to 50°C

OPERATION TEMPERATURE



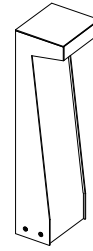
MAKE SURE THE Power IS OFF DURING INSTALLATION



220-240V~
50/60 Hz



RISK OF FIRE AND ELECTRICAL SHOCK

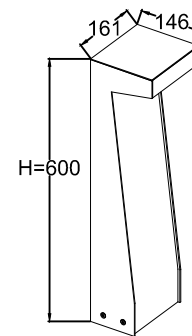
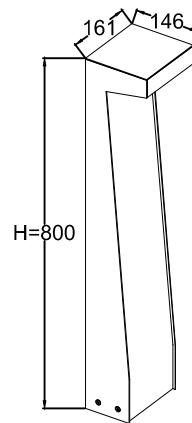
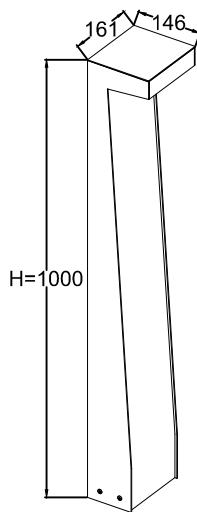


INSTALLATION INSTRUCTIONS

DISCLAIMER

Please read all instructions before beginning installation:

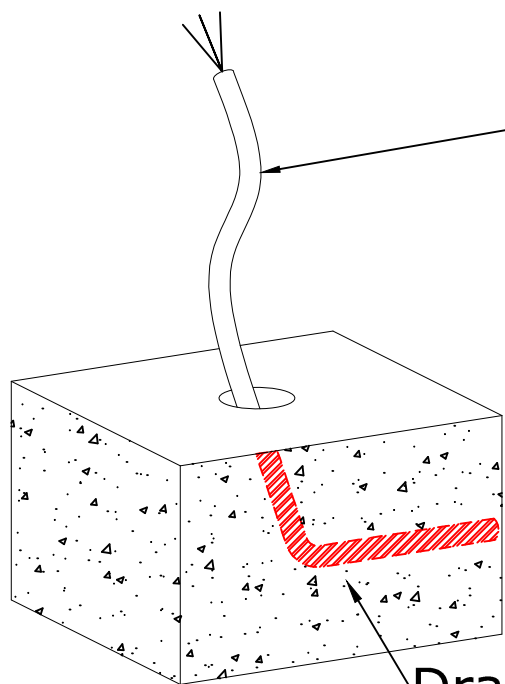
1. Turn off electrical Power before starting the installation of the light fixture.
2. The feeding voltage must not exceed the specified fixture voltage.
3. This product must be installed by an eligible electrician.
4. Make sure the luminaire is mounted to a secure structure. Mounting the fixture in inappropriate way could lead to serious injury.
5. This luminaire is class 1, it must be earthed in a reliable way.
6. Wear gloves and safety glasses at all times when removing the luminaire from carton, installing, servicing or performing maintenance
7. Do not install damaged product! This luminaire is properly packed to avoid being damaged during transit. Inspect to confirm before installation. Any damaged or broken part during or after assembly should be replaced.
8. Unauthorized repairs or modifications will void warranty.



Dimensions in mm

Product Installation guide

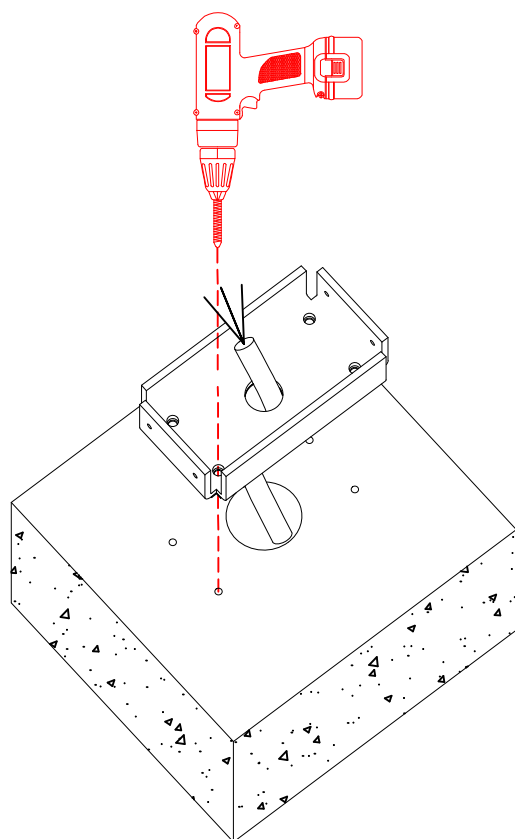
1. Prepare the ground and the cable with a proper drainage system



Type	Application	Cable	Note
Non Dimmable	Power	H07RN F 3G1.0 mm ²	L/N/PE
DALI	Power & Control	H07RN F 5G1.0 mm ²	L/N/PE/DA/DA
1-10V	Power	H07RN F 3G1.0 mm ²	L/N/PE
	Control	H07RN F 2x1.0 mm ²	DIM+ / DIM-

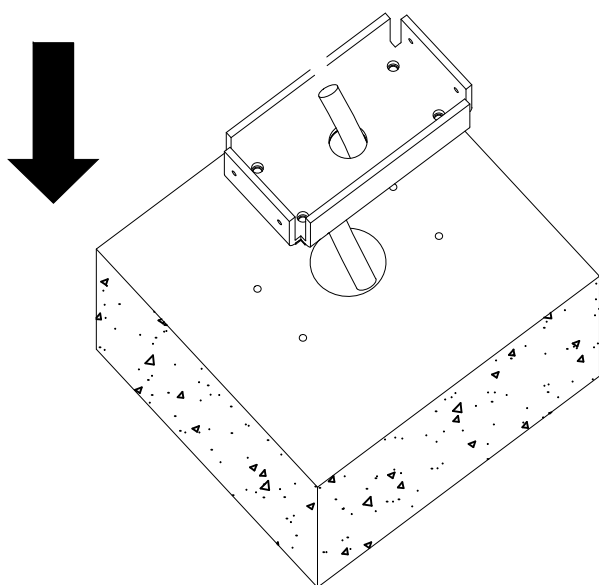
Drainage

2. Make 4 holes in the surface for M6X50

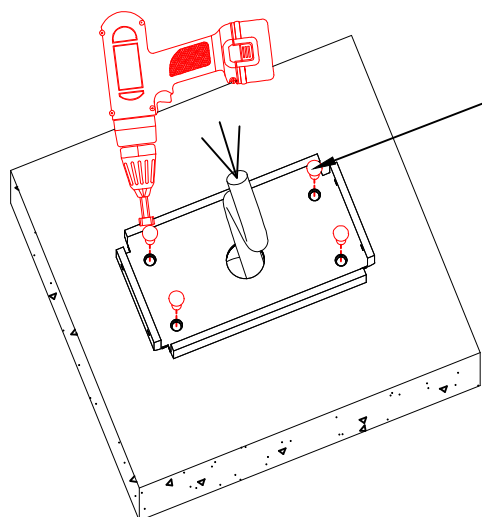


Product Installation guide

3.insert Power feeding and control canle in the base



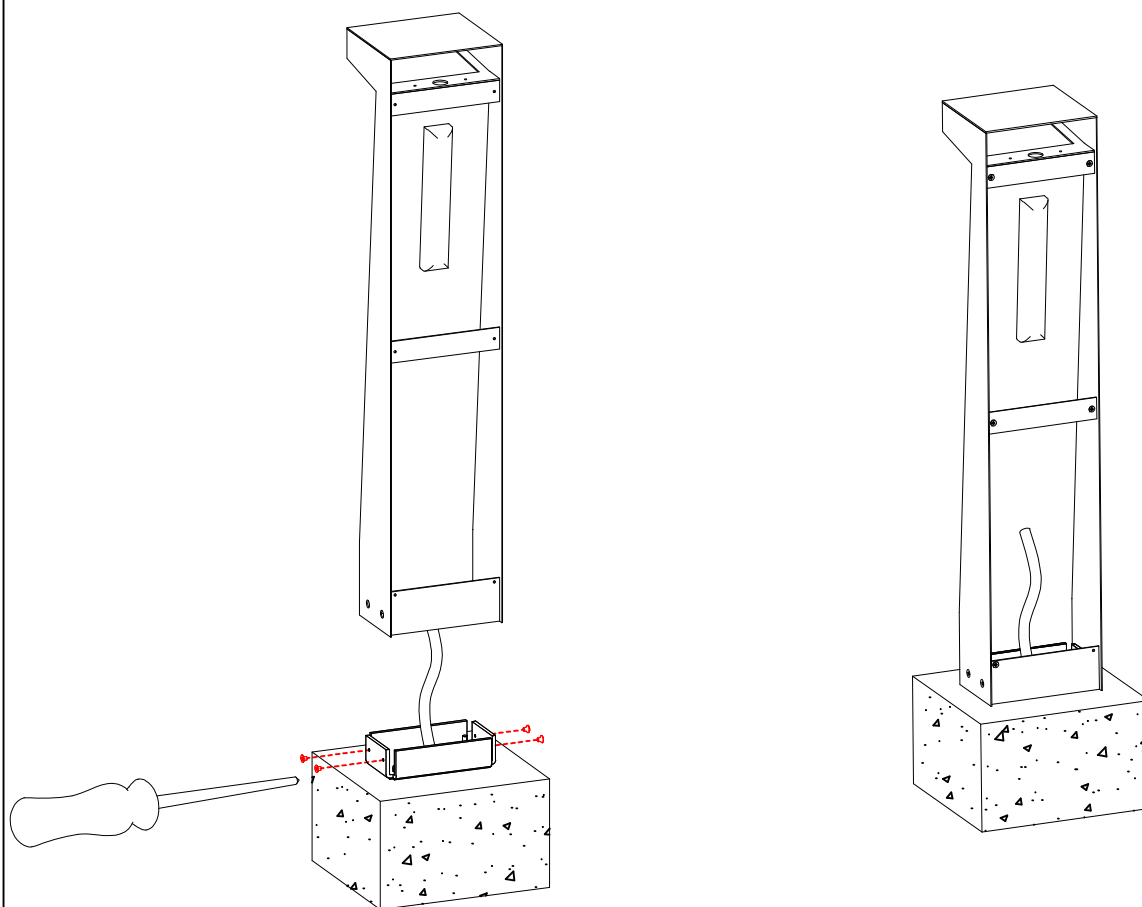
4.Screw in M6x50 screws Qty 4 (provided by installer)



M6x50 provided by installer


Product Installation guide

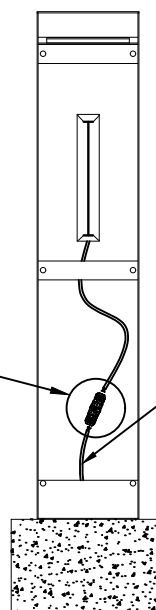
5. Fix and screw in E-Walk fixture using M4 countersunk screw with the base bracket



6. Connect Power line using waterproof connector

Non Dimmable

3Poles		
	Brown	: Line
	Blue	: Neutral
	Green/Yellow	: Ground



Use cable
H07RN F 3G1.0 mm²

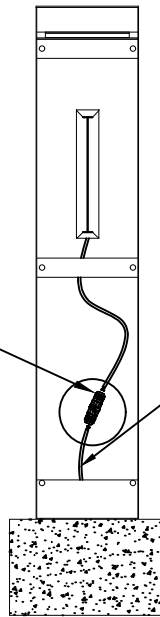
Product Installation guide

Dali Dimmable

5Poles Connector



Brown	: Line
Blue	: Neutral
Green/Yellow	: Ground
Black	: DALI
Grey	: DALI



Use cable
H07RN F 5G1.0 mm²

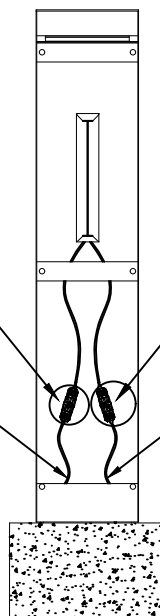
1-10V Dimmable

3Poles Connector



Brown	: Line
Blue	: Neutral
Green/Yellow	: Ground

Use cable
H07RN F 3G1.0 mm²



2Poles Connector



Brown	: Dim+
Blue	: Dim-

Use cable
H07RN F 2x1.0 mm²

Product Installation guide

7. Fix back cover using M4 countersunk screw

